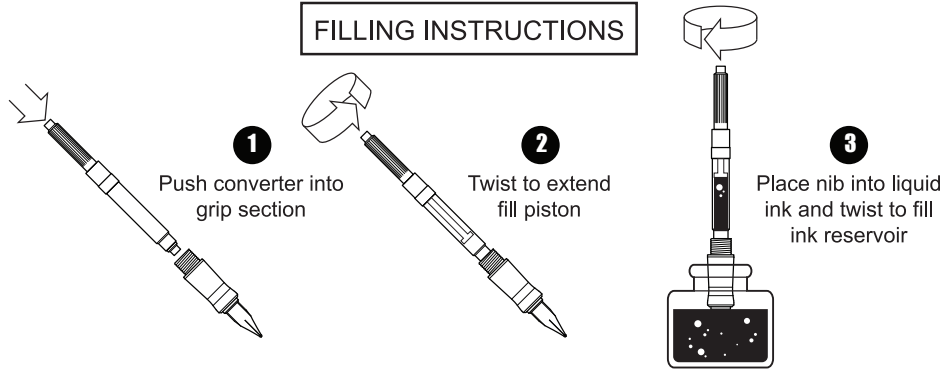
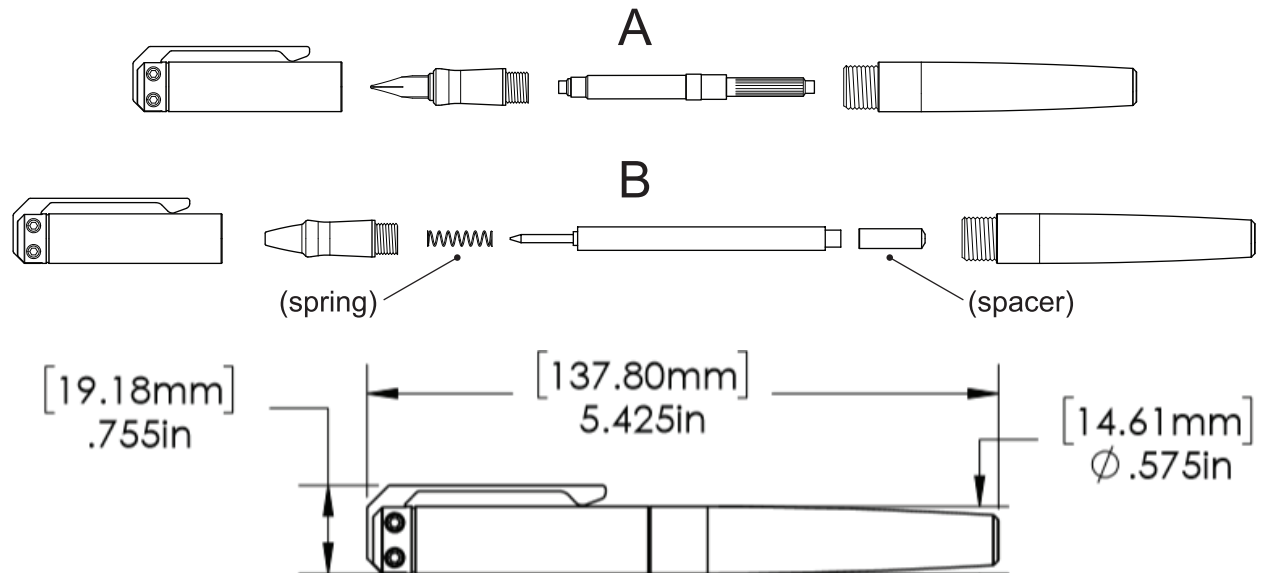


# ink

## FILLING INSTRUCTIONS



The INK V2 is designed to be used as either (A) a fountain pen or (B) a rollerball pen. By simply swapping out the nib for our rollerball tip adapter, you can switch between the two styles allowing you to try something new or give you more writing flexibility. We have included either a converter to use with the fountain pen or a refill and spring to use with the rollerball pen. The fountain pen version of the INK V2 will also work with both standard and long international ink cartridges for quick ink changes (2 standard international cartridges included). To clean the body of your pen wipe it down with a microfiber cloth using mild detergent. Never use abrasives or harsh chemicals to clean the INK V2 as this may damage the surface. Use warm water and a small drop of mild detergent to clean the nib, feed, and converter between ink fills or before putting the pen away for storage. The aluminum version of the INK V2 needs no special treatment to maintain the anodized finish. The copper and brass versions can be polished or left to age naturally. The INK V2 is not a toy and should not be used by children as small parts may cause choking. We are not responsible for any damage caused by misuse of the INK V2. And remember, you are not an octopus. Please do not squirt ink and run out of the room when threatened, a sternly written note will do just fine.



**Compatible Refills:**  
Standard and Long International Cartridges  
K5 Converter

**Aluminum Weight:** 42.2g / 1.48 oz  
**Brass Weight:** 110.9g / 3.91 oz  
**Copper Weight:** 116.4g / 4.10 oz



karaskustoms.com

**All of our products are guaranteed  
against manufacturing defects**